

# American Dryer® Accessories

ACCESSORIES ENHANCE ALL  
**EXTREMEAIR**, ADVANTAGE™ AND  
GLOBAL® SERIES HAND DRYERS

**NEW**  
FOR 2013

**NEW!**



Part #: ADA-WG\*

## ADA WALL GUARD - *An Industry First!*

The all-new patent pending **Wall Guard** is **ADA compliant without the need to recess the dryer into the wall** and helps protect the wall and floor from moisture. The Wall Guard features seamless one-piece stainless steel construction and is easy to install.

## ADA RECESS KIT

The all-new **Recess Kit** reduces the protrusion of the dryer to less than 4 inches from the wall to meet ADA requirements when the dryer is installed in a hallway or narrow passage. The Recess Kit features seamless one-piece stainless steel construction and is easy to install.



Part #: ADA-RK\*

## ADAPTER PLATE

The **Adapter Plate** is a 16" W x 14" H stainless steel plate that covers mounting holes when replacing old hand dryers and paper towel dispensers.

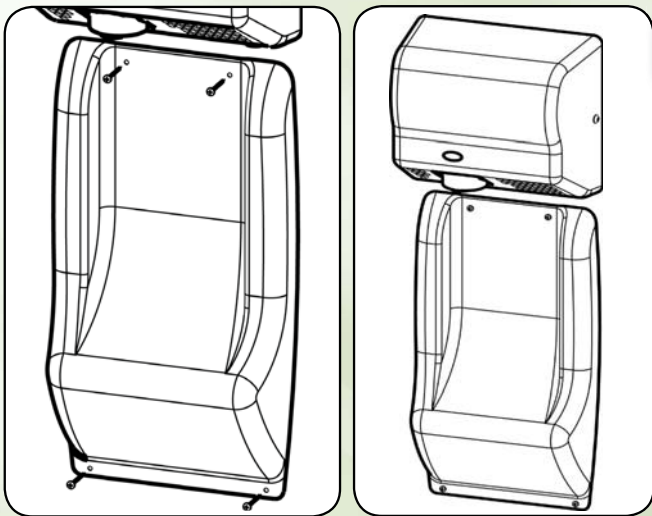
\* not for use with HAIR dryers.



Part #: AP

 American Dryer®

Distributed by  
[www.Ameraproducts.com](http://www.Ameraproducts.com)  
Phone: (800) 608-6568  
Fax: (409) 840-5545  
[info@ameraproducts.com](mailto:info@ameraproducts.com)

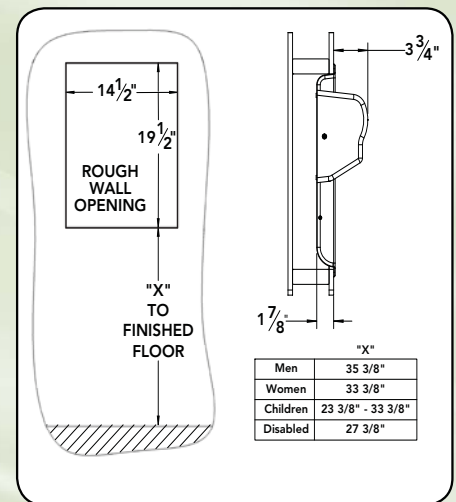
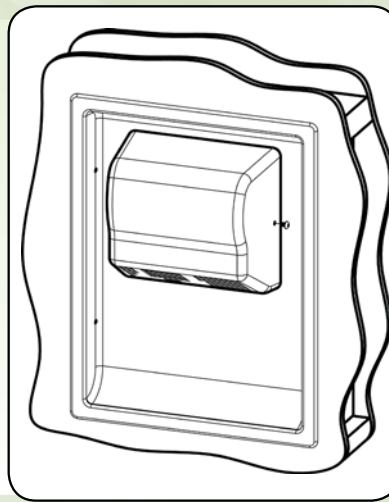


## ADA WALL GUARD - An Industry First!

- ADA compliance without having to cut a hole in your wall
- Easy installation below the dryer with four screws provided
- One-piece 19 gauge stainless steel
- Dimensions: 9-3/8" W x 18" H x 3-1/2" D
- Shipping weight: 4 pounds
- Part number: ADA-WG

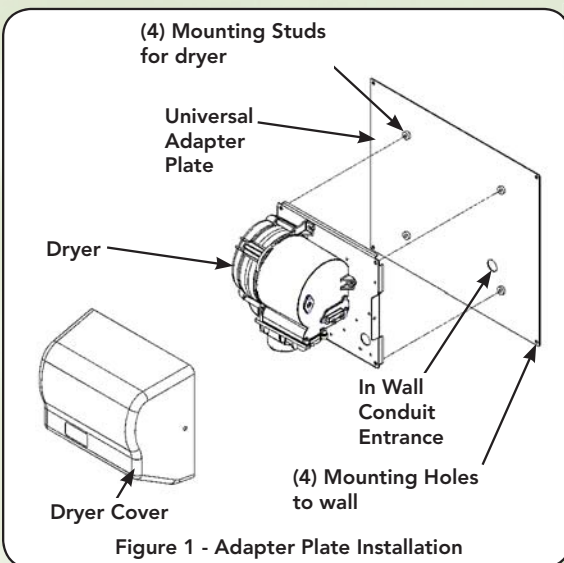
## ADA RECESS KIT

- ADA compliance by reducing the protrusion of the dryer to less than 4 inches
- Easy installation between standard 16" on center wall studs
- 14-1/2" W X 19-1/2" H rough wall opening
- One-piece 19 gauge stainless steel
- Dimensions: 16-1/4" W x 21-1/4" H x 2" D
- Shipping weight: 7 pounds
- Part number: ADA-RK



## ADAPTER PLATE

- Covers holes and "footprint" from older dryers and paper towel dispensers
- Easy installation with four screws provided
- One-piece 18 gauge stainless steel
- Overall product dimensions: 16" W x 14" H
- Shipping weight: 5 pounds
- Part number: AP



### PART NO.

### ACCESSORIES

ADA-WG*	ADA Compliant seamless stainless steel wall guard
ADA-RK*	ADA Compliant seamless stainless steel recess kit
AP	Stainless steel universal adapter plate

\*Not for use with HAIR dryers

For more information, visit [americandryer.com](http://americandryer.com)

Dryer not included



American Dryer, Inc.

33067 Industrial Road | Livonia, MI 48150 | U.S.A.

© American Dryer, Inc. All Rights Reserved. Rev. July 2013

Distributed by  
[www.AmerProducts.com](http://www.AmerProducts.com)  
 Phone: (800) 608-6568  
 Fax: (409) 840-5545  
[info@amerproducts.com](mailto:info@amerproducts.com)