

SMARTdri™ Hand Dryer

High-Efficiency Intelligent Hand Dryer



WORLD DRYER



- Longest service life
- Flexible intelligent options
- Fastest dry time
- Extremely energy efficient
- Most powerful air performance

Distributed by
www.Ameraproducts.com
Phone: (800) 608-6568
Fax: (409) 840-5545
info@ameraproducts.com



IP24



Meet World Dryer's SMARTdri™ Series and experience a host of cost saving opportunities

World Dryer is the only manufacturer that offers a full portfolio of fast, state-of-the-art hand dryers designed to fit the individual needs of any facility. Our **SMARTdri Series** offers facilities of all sizes the most energy efficient, durable, hygienic hand dryers on the market today. Developed with proprietary motor technology that delivers the longest service life of any high-speed hand dryer, World Dryer's products deliver a faster, more effective drying experience while reducing operational costs. Competitively priced, the SMARTdri Series features heat controls for user comfort and a significantly faster drying time than traditional hand dryers.

Benefits of the SMARTdri Series:

Highly durable

Ideal for high traffic areas

Longest service life in high-speed hand dryers

- 2 to 3 times longer service life than other competitive high-speed hand dryers

Most hygienic

Automatic operation, antimicrobial technology

- Incorporates SteriTouch® antimicrobial technology inhibiting the growth of bacteria, mold and fungus extending the dryer's service life
- Automatic operation promotes hand hygiene

Lowest cost

99% savings over the cost of paper towels

Extremely fast

3 times faster than traditional hand dryers

Energy efficient

Uses 40% less energy than competitive high-speed hand dryers

- Uses only 12% energy of traditional hand dryers

Power Consumption	SMARTdri			Traditional Hand Dryers	Competitive Offerings
	Low	Med	High		
Heat ON	800 W	1000 W	1200 W	2300 W	1500 W
Heat OFF	400W	600 W	800 W		

Our SMARTdri Series qualifies for LEEDs Credits

SMARTdri and SMARTdri Plus are designed with proprietary that fully supports green building and ensures a low environmental impact by virtually eliminating waste and maintenance.



Why Choose Hand Dryers?

Distributed by
www.Ameraproducts.com
 Phone: (800) 608-6568
 Fax: (409) 840-5545
 info@ameraproducts.com

Significant cost savings

- 99% savings compared to the cost of paper towels

Lowest maintenance

- No purchasing or stocking of paper towels
- No overflowing trash cans to empty
- No paper towels clogging your toilets



SMARTdri Plus
Single port nozzle for a
focused, high-intensity dry

SMARTdri
Multi-port nozzle technology
for a comfort dry



The SMARTdri Series is engineered with intelligent flexible technology that can be customized to accommodate different application environments and requirements.



SMARTdri Plus
Single-port nozzle delivers a focused dry



SMARTdri
Multi-port nozzle for a comfort dry

Intelligent flexible options

Intelligent on/off heating and 3-speed motor controls optimize energy efficiency and comfort

ON/OFF heating options

Selectable options for user comfort

- ON - Cold climate
- OFF - Warm climate

3-Speed motor controls

- HIGH - For high volume facilities
- LOW - For low traffic environments

More hygienic

- Reduces growth of bacteria, mold, fungus extending the dryer's service life
- No messy paper towels littering the floor
- Automatic activation prevents cross contamination

Environmentally friendly

- Energy efficient
- Reduces waste in landfills
- Supports green building to earn LEED credits

Distributed by
www.Ameraproducts.com
Phone: (800) 608-6568
Fax: (409) 840-5545
info@ameraproducts.com

SMARTdri™ Series Hand Dryers

Superior design enhances décor

Contemporary stylish design in seven finishes will enhance the image and coordinate with your washroom décor.



White



Brushed

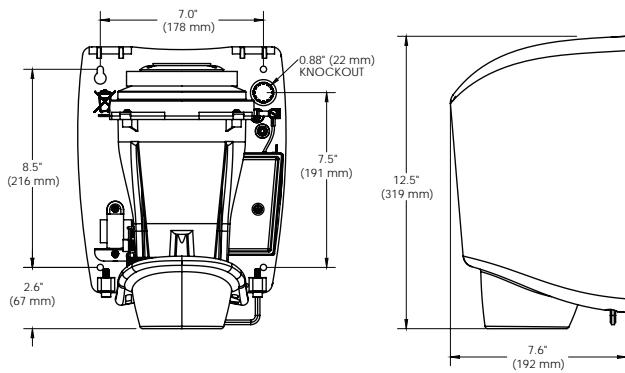


Black



Polished

Specifications



Electrical Specifications

	110-120 V	208-240 V	220-240 V
Amps	3.3 - 10.0	1.8 - 5.2	1.7 - 5.0
Watts	400 - 1200	425 - 1250	400 - 1200
Hz	60	60	50



SMARTdri Plus

Cover Material	Cover Finish / Kit	110-120 V	208 - 240 V (60Hz)	220 - 240 V (50Hz)	Unit Weight
Aluminum	White	# K-974P	# K4-974P	# K48-974P	11.6 lbs/5.2 kgs
Aluminum	Polished Chrome	# K-970P	-	-	11.6 lbs/5.2 kgs
Aluminum	Brushed Chrome	# K-971P	-	-	11.6 lbs/5.2 kgs
Aluminum	Black	# K-162P	# K4-162P	# K48-162P	11.6 lbs/5.2 kgs
Stainless Steel	Polished	# K-972P	-	-	14.2 lbs/6.4 kgs
Stainless Steel	Brushed	# K-973P	# K4-973P	# K48-973P	14.2 lbs/6.4 kgs
Stainless Steel	Recess Kit	KKR-973			9.8 lbs/ 4.4 kgs

SMARTdri

Cover Material	Cover Finish / Kit	110-120 V	208 - 240 V (60Hz)	220 - 240 V (50Hz)	Unit Weight
Aluminum	White	# K-974	# K4-974	# K48-974	11.6 lbs/5.2 kgs
Aluminum	Polished Chrome	# K-970	-	-	11.6 lbs/5.2 kgs
Aluminum	Brushed Chrome	# K-971	-	-	11.6 lbs/5.2 kgs
Aluminum	Black	# K-162	# K4-162	# K48-162	11.6 lbs/5.2 kgs
Stainless Steel	Polished	# K-972	-	-	14.2 lbs/6.4 kgs
Stainless Steel	Brushed	# K-973	# K4-973	# K48-973	14.2 lbs/6.4 kgs
Stainless Steel	Recess Kit	KKR-973			9.8 lbs/ 4.4 kgs

Dryer sizes: Unit Size (HxWxD) - 12.5" x 9.3" x 7.6" 319 x 236 x 192 mm, Shipping Size (HxWxD) - 14.7" x 11.4" x 10.8" 375 x 290 x 275 mm
 Recess kit sizes: Unit Size (HxWxD) - 25.0" x 15.0" x 4.0" 635 x 381 x 102 mm, Shipping Size (HxWxD) - 30" x 15" x 7.88" 760 x 380 x 200 mm



5700 McDermott Drive, Berkeley, IL 60163



92-MT053 Rev08

Distributor

