

# SLIMdri™ Hand Dryer

Surface-Mounted ADA Compliant Hand Dryer



**WORLD DRYER**



Distributed by  
[www.Ameraproducts.com](http://www.Ameraproducts.com)  
Phone: (800) 608-6568  
Fax: (409) 840-5545  
[info@ameraproducts.com](mailto:info@ameraproducts.com)

- Surface mounted ADA compliant
- Fastest dryer in category
- Universal voltage (110 to 240 Volts)
- Flexible heating control
- Hygienic antimicrobial technology



**IP23**



# SLIMdri™ Hand Dryer

## BEST Surface-Mounted ADA Compliant Hand Dryer

SLIMdri™ is the fastest and most energy efficient surface-mounted ADA compliant hand dryer. The SLIMdri hand dryers offers the best performance in its class. The flexible ON/OFF heating controls, ultra compact and contemporary stylish design, and universal voltage features make SLIMdri a perfect fit for all medium to high traffic and ADA compliant facilities.

**Best Value** - Competitive price with high performance and vandal resistance

**Fastest** - 40% faster dry time than leading competitive surface-mounted ADA compliant hand dryers

**Energy Efficient** - 25% more energy efficient than other surface-mounted ADA hand dryers

**Hygienic** - SteriTouch® hygienic antimicrobial technology

**Flexible** - ON/OFF heat options

**Slim Design** - Compact, sleek and modern design complements any washroom décor.

**Automatic Operation** - Automatic operation encourages healthy hygiene.

**Multi-Voltage** - (110-240 Volts) Adapts to all electrical supplies.



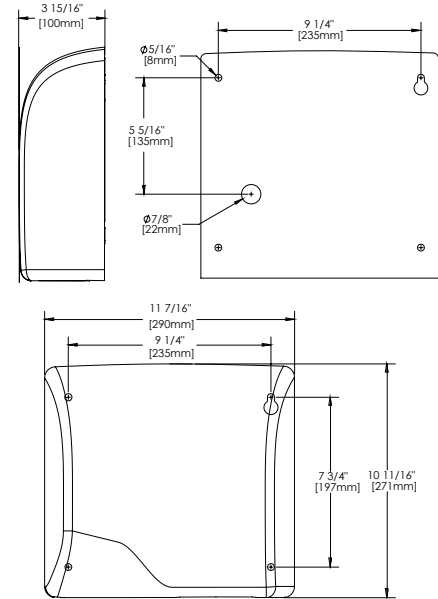
### Electrical information

	110-120 V	208 V	220-240 V
Amps	8.7	4	4.3
Watts	1000	825	1000
Hz	50 / 60 Hz	50 / 60 Hz	50 / 60 Hz

### Performance

Air Speed	Air Flow	Temperature Rise
140 MPH	70 CFM	48°F

## Specifications



Aluminum , White



Aluminum , Polished



Aluminum , Brushed



Cast Iron , White

Cover Material	Cover Finish / Kit	110-120 / 208 / 220-240 V	Unit Weight	Unit Size (HxWxD) inch/mm	Shipping Size (HxWxD) inch/mm
Aluminum	White	# L-974	9.0 lbs / 4.1 kgs	10.7" x11.43" x 3.9" 271 x 290 x 100	13.8" x 13" x 6.9" 350 x 330 x 175
Aluminum	Polished Chrome	# L-970	9.0 lbs / 4.1 kgs	10.7" x11.43" x 3.9" 271 x 290 x 100	13.8" x 13" x 6.9" 350 x 330 x 175
Aluminum	Brushed Chrome	# L-971	9.0 lbs / 4.1 kgs	10.7" x11.43" x 3.9" 271 x 290 x 100	13.8" x 13" x 6.9" 350 x 330 x 175
Cast Iron	Porcelain Enamel	# L-976	17.6 lbs / 7.9 kgs	10.7" x11.43" x 3.9" 271 x 290 x 100	13.8" x 13" x 6.9" 350 x 330 x 175



92-MT050 Rev01

Distributor

Distributed by  
[www.Ameraproducts.com](http://www.Ameraproducts.com)  
 Phone: (800) 608-6568  
 Fax: (409) 840-5545  
[info@ameraproducts.com](mailto:info@ameraproducts.com)