

SLIMdri™ Hand Dryer

Surface-Mounted ADA Compliant Hand Dryer

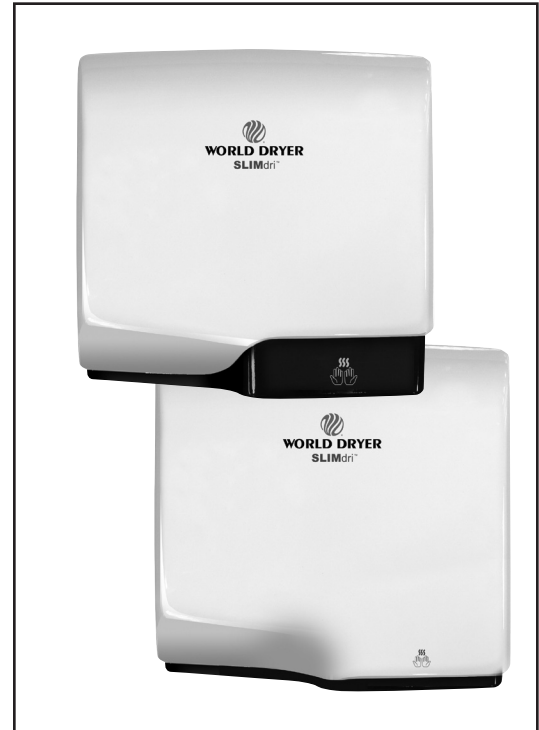


WORLD DRYER

SLIMdri™ is the fastest and most energy efficient surface-mounted ADA compliant hand dryer. The SLIMdri hand dryers offers the best performance in its class. The flexible ON/OFF heating controls, ultra compact and contemporary stylish design, and universal voltage features make SLIMdri a perfect fit for all medium to high traffic and ADA compliant facilities.

Product Benefits

- Surface-mounted ADA compliant
- 40% faster air velocity than leading competitive surface-mounted ADA compliant hand dryer
- 25% more energy efficient than other surface-mounted ADA hand dryers
- Universal voltage – accepts 110-120 / 208 / 220-240 VAC input
- Flexible ON/OFF heat control
- SteriTouch® hygienic antimicrobial technology
- Automatic activation
- Ultra compact and contemporary stylish design
- Durable and vandal resistant



Architecture & Engineering Specifications

SLIMdri™ hand dryer shall be manufactured by World Dryer Corporation to include a cover constructed of either die-cast aluminum finished with epoxy paint or chrome plating; or cast iron with porcelain enamel finish. The wall mounting plate shall be constructed of die-cast aluminum and the nozzle shall be constructed of die-cast aluminum finished with epoxy paint finish. Epoxy painted covers shall incorporate SteriTouch® antimicrobial technology. The cover shall be attached to the wall mounting plate with tamper-proof screws. Motor shall be a thermally-protected universal brush type motor operating at 13,000 RPM and delivering 70 CFM air flow at a velocity of 140 MPH (12,320 LFM). Dryer shall incorporate universal controls accepting 115 / 208 / 230VAC input. Dryer will incorporate an chrome wire heating element protected by an automatic resetting thermal cutoff. Dryer shall be activated by an automatic infrared sensor with a 3 second run-on time and 60 second vandal shut-off. Control board shall contain a heater control switch which can be controlled in either ON or OFF position. Dryer shall provide a 48°F temperature rise. Dryer shall have an ingress protection rating of IP23. Hand dryers shall be certified to Underwriters Laboratories, Inc. standards for safety.

SLIMdri™ Product Specifications

Electrical

	110-120 V	208 V	220-240 V
Amps	8.7	4	4.3
Watts	1000	825	1000
Hz	50 / 60 Hz	50 / 60 Hz	50 / 60 Hz

Cover material options:

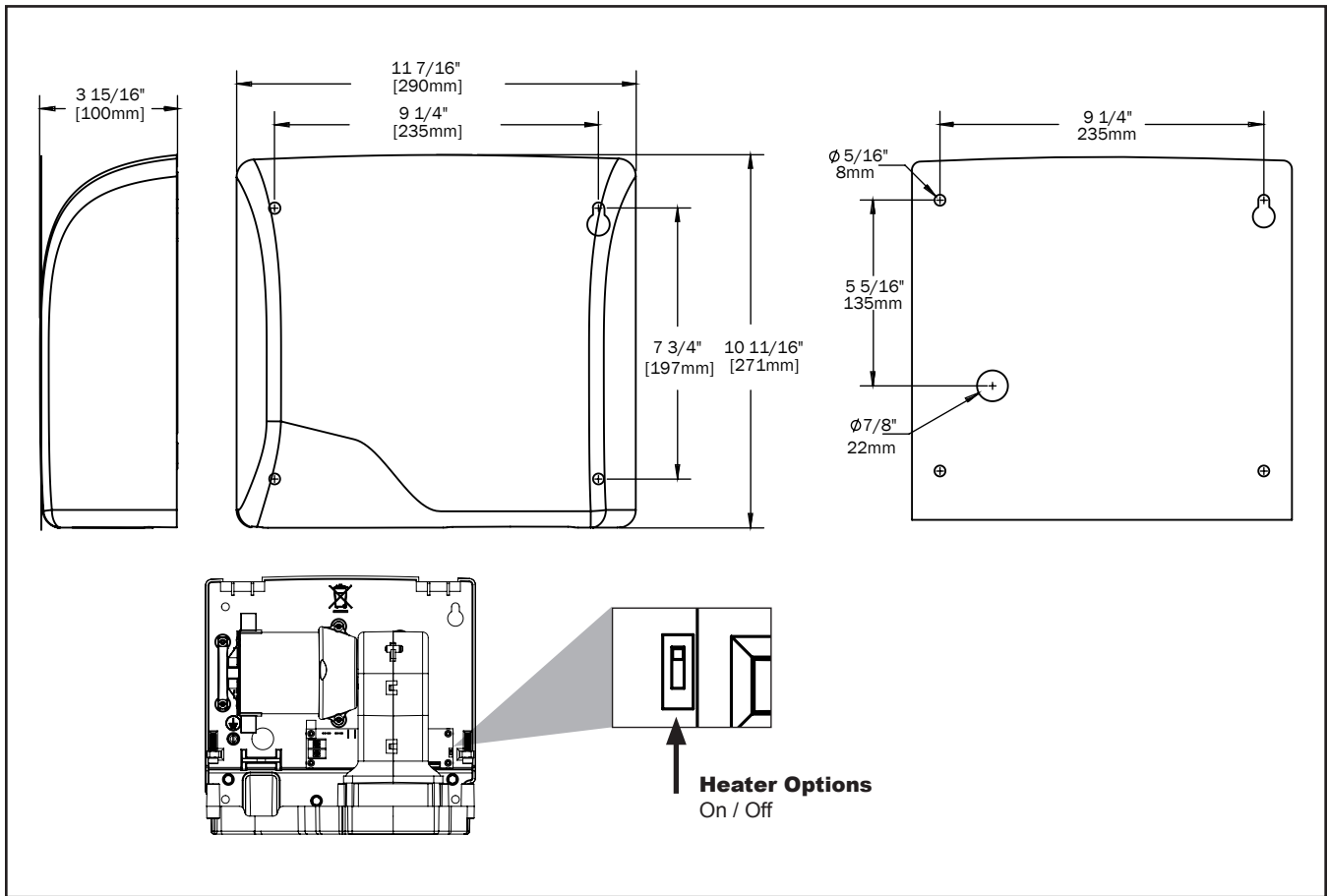
Aluminum - die-cast aluminum finished with epoxy paint or chrome plating.

Cast Iron - with porcelain enamel finish

* Patented SteriTouch® Antimicrobial material reduces the spread of harmful bacteria.

Cover Material	Cover Finish / Kit	110-120 / 208 / 220-240 V	Unit Weight	Unit Size (HxWxD) inch/mm	Shipping Size (HxWxD) inch/mm
Aluminum	White	# L-974	9.0 lbs / 4.1 kgs	10.7" x 11.43" x 3.9" 271 x 290 x 100	13.8" x 13" x 6.9" 350 x 330 x 175
Aluminum	Polished Chrome	# L-970	9.0 lbs / 4.1 kgs	10.7" x 11.43" x 3.9" 271 x 290 x 100	13.8" x 13" x 6.9" 350 x 330 x 175
Aluminum	Brushed Chrome	# L-971	9.0 lbs / 4.1 kgs	10.7" x 11.43" x 3.9" 271 x 290 x 100	13.8" x 13" x 6.9" 350 x 330 x 175
Cast Iron	Porcelain Enamel	# L-976	17.6 lbs / 7.9 kgs	10.7" x 11.43" x 3.9" 271 x 290 x 100	13.8" x 13" x 6.9" 350 x 330 x 175

Distributed by
www.Ameraproducts.com
 Phone: (800) 608-6568
 Fax: (409) 840-5545
info@ameraproducts.com



Placement Instruction

- Hand dryers should be spaced at least 2 feet apart, near but not over the wash basin
- In congested areas, dryers should be located to create a flow from wash basin to dryer to exit
- SLIMdri should be placed more than 18" above or away from reflective surfaces which may interfere with the automatic sensor operation.
- Dryer Quantity Recommendation:
 Average Traffic: 1 dryer per 2 wash basins
 Heavy Traffic: 1 dryer per wash basin
 Industrial 54" Circular wash fountains: 4 dryers per sink
- Recommended mounting heights from floor to dryer bottom edge

Men's washrooms	46" (117 cm)
Women's washrooms	44" (112 cm)
Children's washrooms, ages 4-7	32" (81 cm)
Children's washrooms, ages 7-10	36" (91 cm)
Children's washrooms, ages 10-13	40" (102 cm)
Children's washrooms, ages 13-17	44" (112 cm)
Handicap Mounting Height	37" (94 cm)

Installation Guide

- SLIMdri™ hand dryers require a dedicated 15 AMP circuit and must be properly grounded
- GFI circuit protection is recommended.
- One side of dryer should be mounted to a stud

Certification Approved



IP23



Warranty



5 year limited warranty

