

**DUALFLOW
ABS SATIN FINISH**

Code: **M08ACS-UL**

General Description

- Elegant and innovative design.
- Dries hands in only 10 to 15 seconds.
- It activates automatically when putting hands in the drying area.
- High speed universal brush motor.
- Suitable for medium and high traffic facilities.
- Normally goes along with a soap dispenser.

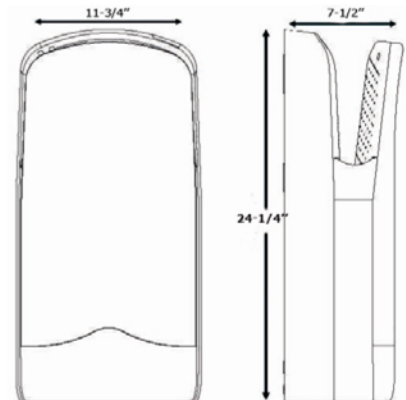
Components & Materials

- High-impact ABS satin cover, 1/8" thick.
- Housing case and water tank made of High impact 1/8" thick ABS.
- High speed motor. Universal brush motor, 30000 rpm, F class.
- Aluminum centrifugal double asymmetric inlet fan wheel.
- Aluminum scroll fan and safety thermal cut-off.
- It operates with two motors and without heating element.
- Electronic infrared detection sensor with polycarbonate viewing window.
- Automatic disconnection system after 23 seconds of continuous use.
- Microban antibacterial protection distributed through the relevant plastic parts of the drying system.
- Optional odourless tablets available.



Technical Specifications

Voltage	110-120 V	Total power	1750 W
Frequency	50/60 Hz	Motor power	875 W
Electrical isolation	Class II	Number of motors	2
Protection level	IP 33	Consumption	15,9 A
Weight	21,1 Lbs	RPM	30000
Air temperature (at 70 °F)	104 °F	Drying time	10-15 sec
Air velocity	125 Mph	Noise level (at 79")	70 dB



Dim ± 4%

Operation

Place hands (no hand movement) into the top of the hand dryer and within a few seconds 300 separate air nozzles of air will efficiently & hygienically dry your hands. An infrared sensor located on the left top of the unit detects when hands are placed and after approximately 10-15 seconds your hands are dry, with the dryer automatically switching off after 23 seconds. When hands are removed the dryer will stop.

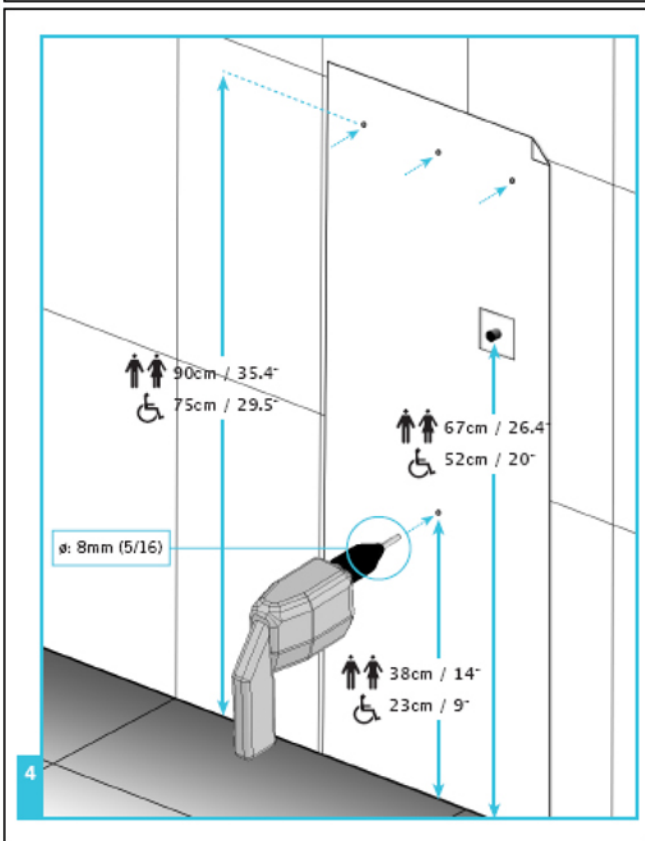
Installation

Please refer to [Back](#)

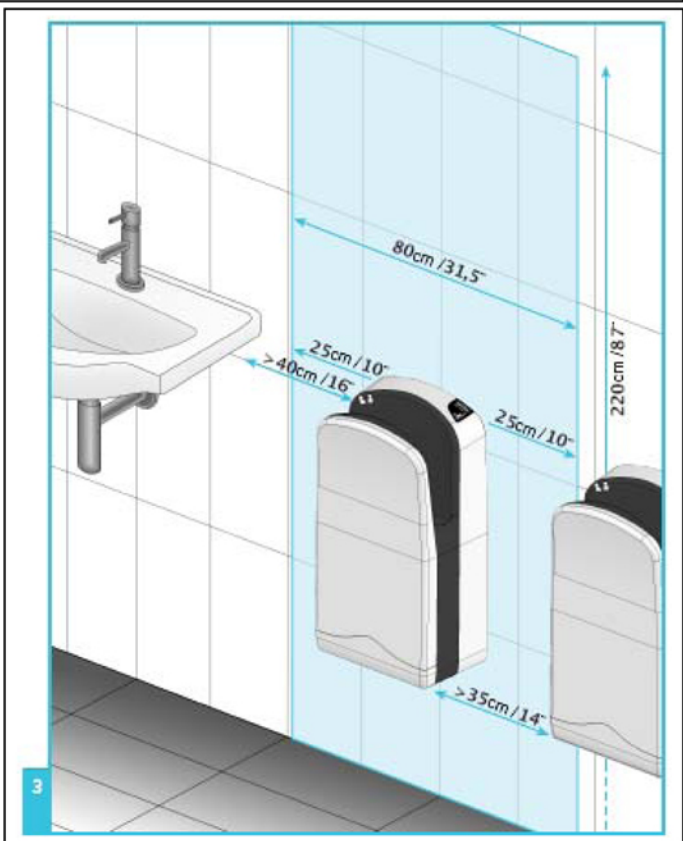
Certificates & Qualifications

UL comply with UL507 norm. Also ISO 9001:2008 and CE certified. For CE versions COMPLIANT WITH ELECTRICAL SAFETY DIRECTIVES 73/23/CEE & 93/68/CEE AND ELECTRO-MAGNETIC COMPATIBILITY DIRECTIVES 89/336/CEE & 92/31/CEE.

MOUNTING



SERIAL MOUNTING



N° dryers to be fitted

- In toilet areas with a normal frequency of use and only one wash-basin: 1 dryer.
- In toilet areas with a normal frequency of use and more than one wash-basin: 1 dryer for each 2 wash-basins.
- 1 row of 4 wash basins: 2 dryers; 1 row of 6 wash basins: 3 dryers; 1 row of 8 wash basins: 4 dryers.
- In toilet areas with high traffic and more than one wash-basin: 2 dryers for each 3 wash-basins.
- 1 row of 4 wash basins: 3 dryers; 1 row of 6 wash basins: 4 dryers; 1 row of 8 wash basins: 5 dryers.

Ideal location

Between the wash-basin and exit. It is not recommended to install dryer between wash-basins, next to urinals, lavatories and showers. If installing automatic dryers over marble surface or ledge, the minimum distance from the dryer to the ledge must be 15,75". It is recommended that hand dryers be distributed throughout the washroom area to avoid overcrowding.

Specification

Surface mounted and UL compliant hand dryer shall be manufactured with high-impact 1/8" mm thick ABS cover, satin. The dryer should be 110-120V voltage. The dryer shall be activated through an infrared electronic sensor when putting hands inside the dryer and shall automatically turn off after hands are removed. High speed universal brush motor should be 1750 W total power, 30000 rpm, F class. The dryer shall have a total power of 1750 Watts with a consumption of 15,9 A (at 120 V). Noise level should be 70 dB at 79" distance. Protection level against water splashes should be rating IP33. Overall dimensions shall be 24-1/4" x 11-3/4" x 7-1/2". Unit shall UL marked and comply with UL507 norm.

Saniflow Corp. reserves the right to make changes and/or modifications to the products and their specifications without prior notice.

Revision 09-2009

© SANIFLOW Corp.