

**DANGER: Disconnect Power Before Servicing**

Failure to disconnect the power source before installation or servicing can result in serious injury or death from electrical shock.



**WARNING:** Risk of fire, personal injury or property damage may result from improper installation or service.

**INSTALLATION INSTRUCTIONS**

1. Remove cover by removing (2) tamper-proof-screws using security wrench supplied. Pull cover directly toward you. **IMPORTANT: Save security wrench.**
2. Dryers should be placed at least 2 feet (61cm) apart and at least 12" (30cm) from wash-basin. Do not install dryer over washbasin. Automatic dryers should be at least 18" (46cm) above any projection which may interfere with the operation of the automatic sensor.

Hold the backplate to the wall at the suggested mounting height. Measure from bottom edge of **backplate** to the **floor** (Ref. Dimension "A", Fig. 1):

	MEN	WOMEN	CHILDREN (depends on age)	DISABLED
Hand -	44" (112cm)	42" (107cm)	32 to 42" (81-107cm)	36" (91cm)
Hair -	74" (187cm)	68" (172cm)	48" to 68" (121-172cm)	48" (121cm)

3. Mark the locations of the four mounting holes and the conduit entrance location on the wall. (The conduit entrance is the proper hole diameter for 1/2 inch (13mm) conduit.)
4. Fasten the backplate to the wall where previously marked.

**RECOMMENDATION:**

**Wood wall** – No. 14 (M6) wood screws, 2 3/4" (70mm) long

**Cement or brick** – 1/4" (M6) stud expansion bolts, 3" (76mm) long

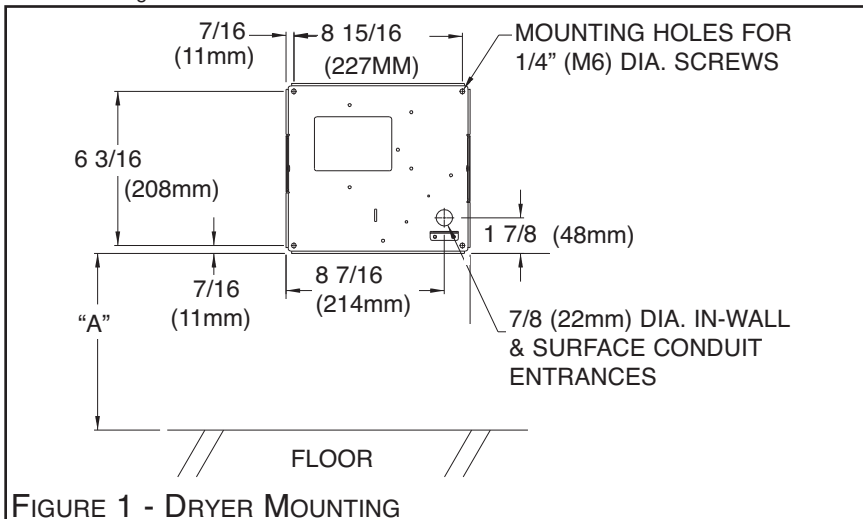
**Hollow wall** – 1/4" (M6) toggle bolts, length depends on wall thickness

5. Run service wire to the dryer location and connect to lead wires. **IMPORTANT:** All units must be supplied with 3 wire service. Use No. 12 or 14 wire as required by local electrical code. The ground wire must be connected to the dryer ground screw. Unit must be installed by a qualified, licensed electrician.

**CONNECT TO A DEDICATED CIRCUIT NOT TO EXCEED 20 AMPS.**

Dryers located in shower rooms or other wet locations should be equipped with ground fault interrupter(s).

6. **Carefully** replace the cover using (2) tamper-proof screws supplied. Apply a bead of caulk around edges of cover to wall.

**OWNER'S MANUAL ADVANTAGE™ SERIES HAND DRYERS****IMPORTANT: HAVE MODEL & SERIAL NO. READY****MODEL # \_\_\_\_\_ SERIAL # \_\_\_\_\_****ADVANTAGE DRYER LIMITED WARRANTY**

All parts are warranted to the original consumer purchaser to be free from defects in material and workmanship for a period of five (5) years from the date of purchase from manufacturer. All models outside of the U.S.A., one (1) year. We will replace **FREE OF CHARGE**, during the warranty period, any warranted part which proves defective in material and/or workmanship under normal installation, use, and service, excluding normal wear. Replacement parts can be obtained by returning the part, **TRANSPORTATION CHARGES PREPAID**. You must notify factory prior to returning part or dryer. Any damage to this dryer as a result of misuse, abuse, neglect, accident, improper installation, unauthorized repairs, or any other use violative of instructions furnished by us, **WILL VOID THIS WARRANTY**. THIS LIMITED WARRANTY IS THE **SOLE WARRANTY ON OUR PRODUCTS**, AND WE DISCLAIM AND EXCLUDE ANY AND ALL OTHER WARRANTIES, EXPRESS OR IMPLIED, INCLUDING ANY IMPLIED WARRANTIES OF MERCHANTABILITY OR FITNESS FOR A PARTICULAR PURPOSE. OUR LIABILITY SHALL NOT EXCEED IN ANY EVENT THE REPLACEMENT OR SALE PRICE OF THE ALLEGEDLY NONCONFORMING PRODUCT AND SHALL EXCLUDE LABOR CHARGES. TO THE EXTENT PERMITTED BY LAW WE SHALL NOT BE LIABLE FOR ANY LOSS, COST, EXPENSE, OR INCIDENTAL OR CONSEQUENTIAL DAMAGES OF ANY KIND, WHETHER BASED UPON WARRANTY (EXPRESS OR IMPLIED), CONTRACT, NEGLIGENCE OR STRICT LIABILITY AND ARISING IN ANY WAY IN CONNECTION WITH THE DESIGN, MANUFACTURE, SALE, USE OR REPAIR OF THE PRODUCT.

**ADVANTAGE SERIES**

MFD by AMERICAN DRYER, INC.

33067 INDUSTRIAL ROAD, LIVONIA, MI 48150, U.S.A.

Revised July 2013

**Distributed by****www.AmeraProducts.com****Phone: (800) 608-6568****Fax: (409) 840-5545****info@ameraproducts.com**

**! DANGER: Disconnect Power Before Servicing**

Failure to disconnect the power source before installation or servicing can result in serious injury or death from electrical shock.

**! WARNING: Risk of fire, personal injury or property damage may result from improper installation or service.**

**GENERAL OPERATION**

This dryer is activated by an infrared sensor. The dryer operates as long as hands are below nozzle. There is a maximum 35 second running time with a safety over-ride feature, if hands are not removed. Each component used in your dryer has been designed to provide years of trouble-free service. However, if trouble should develop, it can normally be located by visual examination. Removal or replacement of most parts is simple and can be done without special tools.

**SERVICE AND MAINTENANCE OF YOUR DRYER**

**IF THE DRYER WON'T TURN ON:**

Check electrical service, circuit breaker. Make sure proper voltage is being supplied to the dryer. Check for loose or disconnected terminal to sensor. **INCREASE** sensitivity (FIGURE 3) by using a flat-blade screwdriver and **CAREFULLY** turning the adjustment pot located on the sensor **CLOCKWISE 1/3 Turn MAX**. If necessary, replace sensor.

**IF DRYER WILL NOT SHUT OFF:**

Make certain black foam is attached to lens and lens is clean. If damaged, replace. **DECREASE** sensitivity (FIGURE 3) by using a small flat-blade screwdriver and **CAREFULLY** turning the adjustment pot **COUNTER-CLOCKWISE 1/3 Turn MAX**. If necessary, replace sensor.

**IF COLD AIR IS COMING FROM THE NOZZLE:**

Turn off breaker for 30 seconds to reset thermostat. If required, remove the cover and vent, check the heating element. If the element is broken or burned out, replace it.

**IF NO AIR IS COMING FROM THE NOZZLE AND HEATING ELEMENT GLOWS:**

Remove the cover and check to see that the fan revolves freely. Check and replace motor, if required.

**FOR ANY OTHER PROBLEM, CONTACT FACTORY FOR ASSISTANCE.**

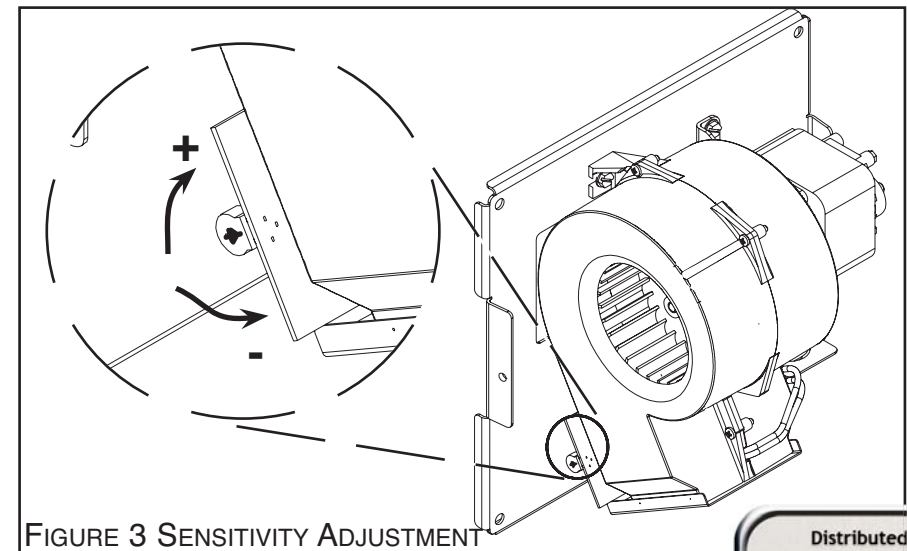
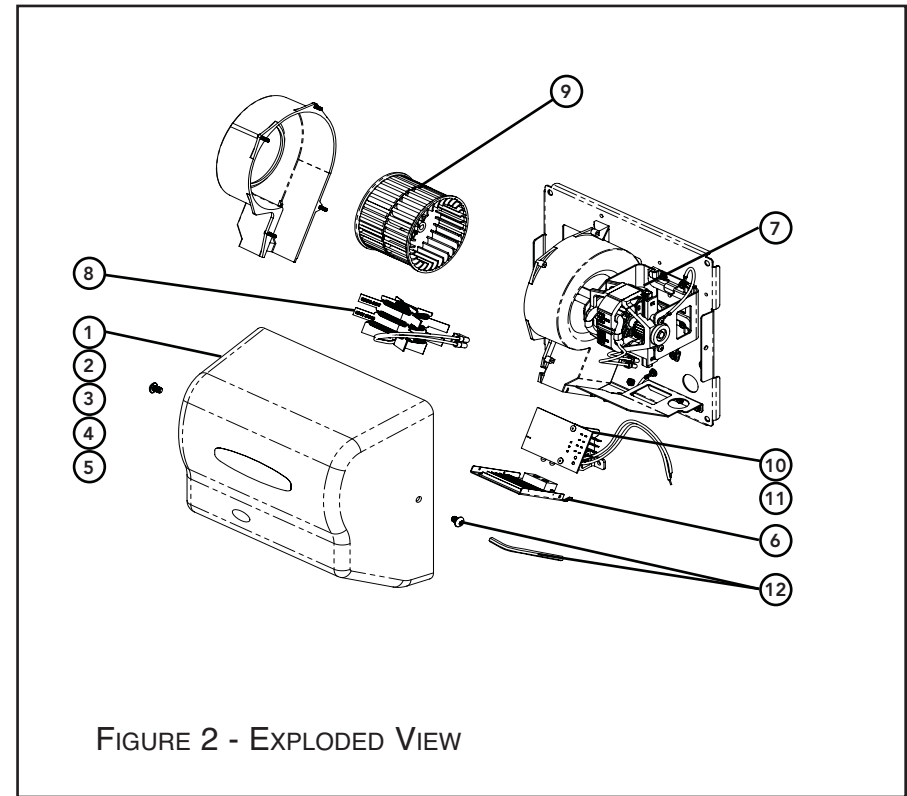
**! CLEANING - DO NOT** spray cleaning solvents thru dryer vents. **DO NOT** use abrasive, chlorinated, or highly alkaline cleaners. **DO NOT** use oil-based cleaners.

**SEMI-ANNUALLY** remove the cover and clean all lint and dust from the mechanism, inside of cover, and plastic window.

Clean cover with a mild soap or detergent and warm water, using a soft cloth or sponge.

**PARTS LIST FOR YOUR DRYER (Figure 2)**

ITEM	PART NO.	DESCRIPTION
1	GX202	COVER, WHITE ABS (MUST SPECIFY DRYER MODEL #)
2	GX202-M	COVER, WHITE STEEL (MUST SPECIFY DRYER MODEL#)
3	GX202-BG	COVER, BLACK GRAPHITE STEEL (SPECIFY DRYER MODEL#)
4	GX202-C	COVER, CHROME PLATED STEEL (SPECIFY DRYER MODEL #)
5	GX202-SS	COVER, STAINLESS STEEL (SPECIFY DRYER MODEL #)
6	GX212	VENT ASS'Y W/ LENS AND FOAM GASKET
7	AD216	MOTOR, 110-120V INCLUDES BLOWER WHEEL
8	GX218	HEATING ELEMENT 110-120V
9	GX228	BLOWER WHEEL
10	SM239	SMART SENSOR COMPLETE, 100-240 VOLT
11	SM239-HAIR	HAIR DRYER SMART SENSOR 100-240 VOLT
12	GB232	TAMPER-PROOF SCREWS & SECURITY WRENCH



Distributed by  
**www.Ameraproducts.com**  
Phone: (800) 608-6568  
Fax: (409) 840-5545  
info@ameraproducts.com